

Envelope Feeder (G913)

PARTS CATALOG

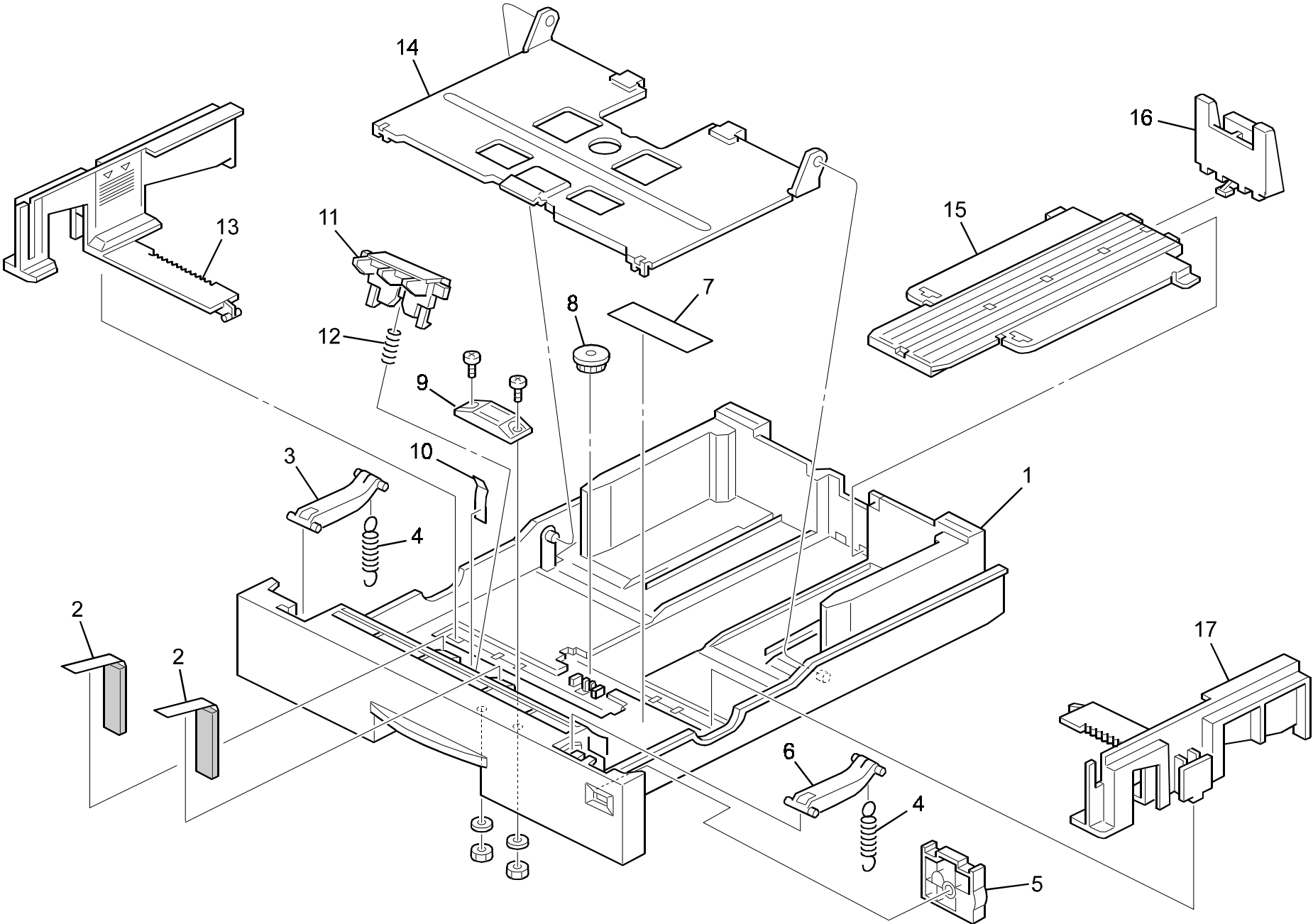
INTRODUCTION

This chapter instructs you the numbers and names of parts on this machine.

INDEX to PARTS CATALOG

1.ENVELOPE FEEDER P3 (G913)	2
2.ENVELOPE FEEDER P4 (G913)	4
PARTS INDEX	6

1.ENVELOPE FEEDER P3 (G913)

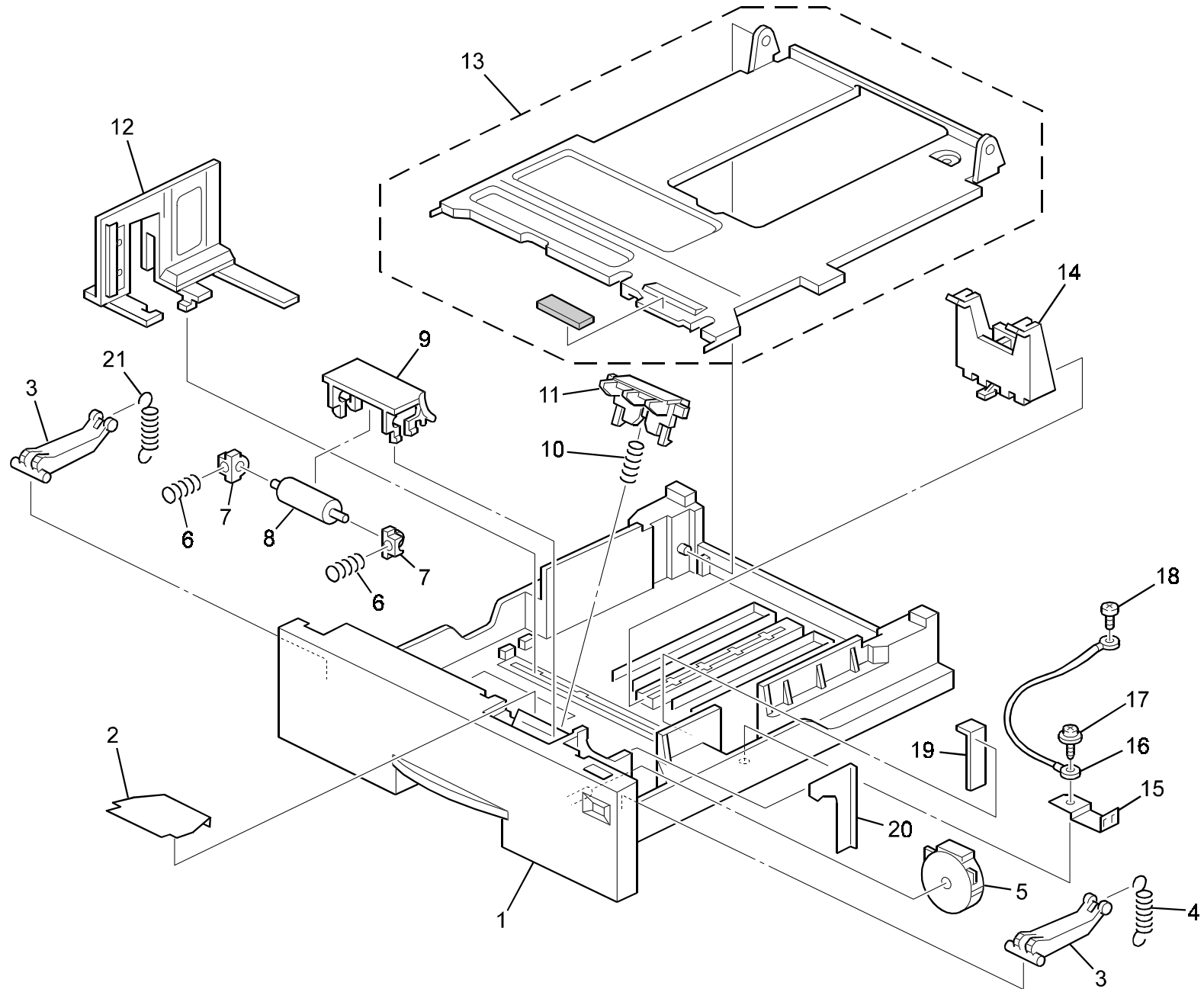


1.ENVELOPE FEEDER P3 (G913)

Index No.	Part No.	Description	Q'ty Per Assembly
1	V356 P001	Paper Tray	1
2	V356 P510	Mylar Seal - 12x88	2
3	V356 P032	Left Hopper Lever	1
4	V356 P328	Hopper Lever Spring	2
5	V356 P028	Paper Size Indicator	1
6	V356 P033	Right Hopper Lever	1
7	V356 P327	Sheet - Paper Tray	1
8	V355 P008	Gear - RACK	1
9	V356 P511	Magnetic Catch	1
10	V356 P304	Mylar Seal - 14x46	1
11	V356 K104	Friction Pad	1
12	V356 P300	Friction Pad Spring	1
13	V356 P025	Left Side Fence	1
14	V356 P109	Bottom Plate Pad	1
15	V356 K023	Rail - Paper Tray	1
16	V356 P027	End Fence	1
17	V356 P026	Right Side Fence	1

Index No.	Part No.	Description	Q'ty Per Assembly

2.ENVELOPE FEEDER P4 (G913)



2.ENVELOPE FEEDER P4 (G913)

Index No.	Part No.	Description	Q'ty Per Assembly
1	VA48 4102	Paper Tray	1
2	VA50 3401	Myler	1
3	VA43 7201	Hopper Lever	1
4	VA50 4901	Left Hopper Spring	1
5	VA49 0101	Paper Size Indicator	1
6	G800 3351	Driven Roller Spring	2
7	VA48 4501	Bushing	2
8	G800 3332	Driven Roller	1
9	VA48 5401	Driven Roller Cover	1
10	G800 3147	Pressure Spring - 2.8n	1
11	VA48 7801	Friction Pad	1
12	VA48 3501	Side Fence	1
13	VA48 7402	Bottom Plate	1
14	VA48 3401	End Fence	1
15	VA49 1301	Grounding Plate	1
16	VA49 1502	Grounding Harness	1
17	VA36 7301	Tapping Screw	1
18	VA44 1901	Tapping Screw	1
19	VA50 3501	Myler	1
20	VA49 2301	Plate	1
21	VA50 3101	Hopper Lever Spring	1

Index No.	Part No.	Description	Q'ty Per Assembly

PARTS INDEX

Part No.	Description	Page and Index No.
G800 3147	Pressure Spring - 2.8n	5- 10
G800 3332	Driven Roller	5- 8
G800 3351	Driven Roller Spring	5- 6
V355 P008	Gear - RACK	3- 8
V356 K023	Rail - Paper Tray	3- 15
V356 K104	Friction Pad	3- 11
V356 P001	Paper Tray	3- 1
V356 P025	Left Side Fence	3- 13
V356 P026	Right Side Fence	3- 17
V356 P027	End Fence	3- 16
V356 P028	Paper Size Indicator	3- 5
V356 P032	Left Hopper Lever	3- 3
V356 P033	Right Hopper Lever	3- 6
V356 P109	Bottom Plate Pad	3- 14
V356 P300	Friction Pad Spring	3- 12
V356 P304	Mylar Seal - 14x46	3- 10
V356 P327	Sheet - Paper Tray	3- 7
V356 P328	Hopper Lever Spring	3- 4
V356 P510	Mylar Seal - 12x88	3- 2
V356 P511	Magnetic Catch	3- 9
VA36 7301	Tapping Screw	5- 17
VA43 7201	Hopper Lever	5- 3
VA44 1901	Tapping Screw	5- 18
VA48 3401	End Fence	5- 14
VA48 3501	Side Fence	5- 12
VA48 4102	Paper Tray	5- 1
VA48 4501	Bushing	5- 7
VA48 5401	Driven Roller Cover	5- 9
VA48 7402	Bottom Plate	5- 13
VA48 7801	Friction Pad	5- 11
VA49 0101	Paper Size Indicator	5- 5
VA49 1301	Grounding Plate	5- 15
VA49 1502	Grounding Harness	5- 16
VA49 2301	Plate	5- 20
VA50 3101	Hopper Lever Spring	5- 21

Part No.	Description	Page and Index No.
VA50 3401	Myler	5- 2
VA50 3501	Myler	5- 19
VA50 4901	Left Hopper Spring	5- 4